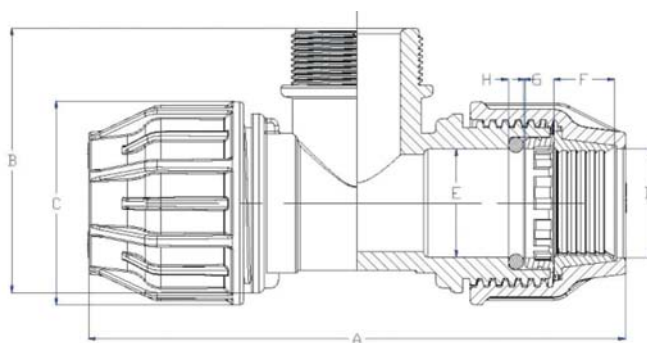


TE 90° A COMPRESSION FILETE PE

PRODUITS ET DIAMÈTRES DISPONIBLES

| d | d1 | A | B | C | D | E | F | G | H | Gr |
|-----|-------|-----|-----|-----|-----|-----|----|----|-----|------|
| 16 | 1/2" | 101 | 55 | 39 | 17 | 17 | 12 | 12 | 3 | 63 |
| 16 | 3/4" | 101 | 58 | 39 | 17 | 17 | 12 | 12 | 3 | 63 |
| 20 | 1/2" | 117 | 64 | 46 | 22 | 22 | 12 | 7 | 3,5 | 104 |
| 20 | 3/4" | 117 | 66 | 46 | 22 | 22 | 12 | 7 | 3,5 | 104 |
| 20 | 1" | 117 | 68 | 46 | 22 | 22 | 12 | 7 | 3,5 | 113 |
| 25 | 1/2" | 130 | 72 | 52 | 27 | 26 | 13 | 10 | 4 | 129 |
| 25 | 3/4" | 130 | 72 | 52 | 27 | 26 | 13 | 10 | 4 | 132 |
| 25 | 1" | 130 | 74 | 52 | 27 | 26 | 13 | 10 | 4 | 133 |
| 32 | 1/2" | 152 | 78 | 64 | 34 | 33 | 19 | 12 | 5 | 196 |
| 32 | 3/4" | 152 | 79 | 64 | 34 | 33 | 19 | 12 | 5 | 206 |
| 32 | 1" | 152 | 83 | 64 | 34 | 33 | 19 | 12 | 5 | 204 |
| 40 | 1" | 178 | 96 | 78 | 41 | 42 | 23 | 13 | 6 | 367 |
| 40 | 1"1/4 | 178 | 101 | 78 | 41 | 42 | 23 | 13 | 6 | 368 |
| 40 | 1"1/2 | 178 | 111 | 78 | 41 | 42 | 23 | 13 | 6 | 373 |
| 50 | 2" | 199 | 115 | 92 | 51 | 52 | 31 | 13 | 6,5 | 538 |
| 63 | 2" | 248 | 138 | 109 | 64 | 65 | 39 | 22 | 7 | 717 |
| 75 | 2"1/2 | 276 | 171 | 132 | 76 | 78 | 40 | 23 | 8 | 1280 |
| 90 | 3" | 344 | 196 | 151 | 94 | 92 | 57 | 31 | 8 | 2250 |
| 110 | 4" | 480 | 220 | 175 | 112 | 113 | 57 | 36 | 9 | 3680 |